

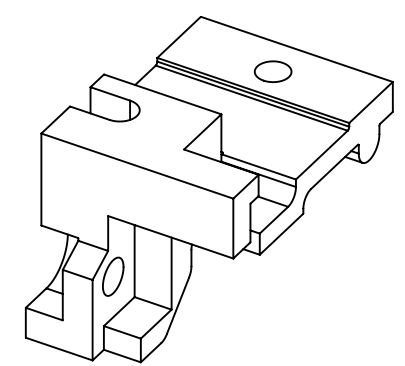
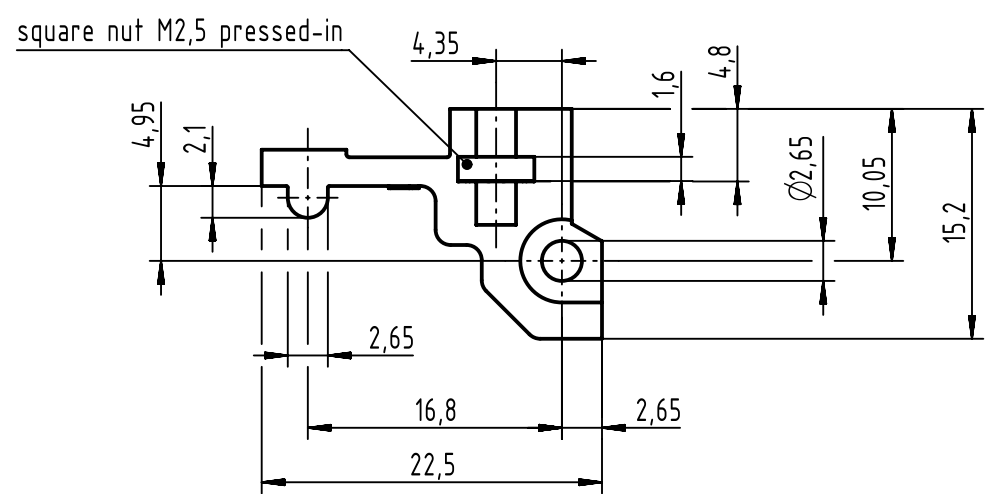
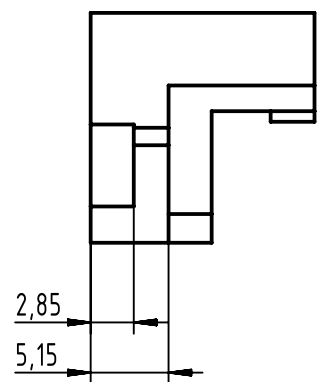
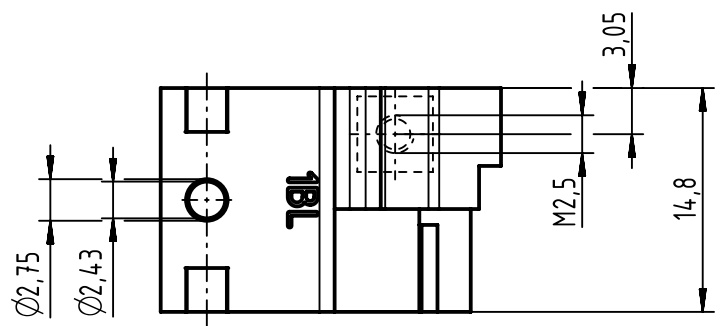
1 2 3 4 5 6


A

B

C

D



	All rights reserved Department EC PD - DE HARTING Electronics GmbH D-32339 Espelkamp	All Dimensions in mm Original Size DIN A4		Scale 2:1	Free size tol.		Ref.
		Created by KAHLERK	Inspected by ZWAHR	Standardisation HOFFMANN	Date 2017-03-17	State Final Release	
Title fixing bracket BL 15mm + nut metallised							Doc-Key / ECM-Nr. 100106603/UGD/006/B 500000116938
Type TB				Number 09069019934			Rev. B
							Page 1/1